

FASTENER DATA

TOOL CHARACTERISTICS

HEIGHT	WIDTH	LENGTH	WEIGHT
327 mm.	75 mm.	380 mm.	2.220 Kg.
MIN-MAX WORKING PRESSURE		70 / 100 PSIG 5 / 7 BAR	
AIR CONSUMPTION PER SHOT		PERFORMANCES AT 90 psi (0.62 Mpa) 0.57 l.	
LUBRICANT		BCNZ617 500 ml.	

A) OUTSIDE CROWN	13.20 mm.
B) INSIDE CROWN	11.90 mm.
CxD) WIRE	0.50 x 1.20 mm.
L) LENGTH	12 - 25 mm.
MAGAZINE CAPACITY	240 staples

* ACTUATION SYSTEM	1 (SAFETY : MANUAL)
--------------------	-----------------------------

* LOADING	<input checked="" type="radio"/> BOTTOM LOADING <input type="radio"/> SIDE LOADING <input type="radio"/> TOP LOADING <input type="radio"/> COIL <input type="radio"/> OTHER
-----------	---

* SEE INSTRUCTION MANUAL

NOISE CHARACTERISTICS	EN 12549+A1:2008 $L_{WA,1s} , : 90.25 \text{ dB(A)} - K_{WA,1s} , 2.5$ EN ISO 4871:2009 $L_{pA,1s} , : 82.40 \text{ dB(A)} - K_{pA,1s} , 2.5$
-----------------------	--

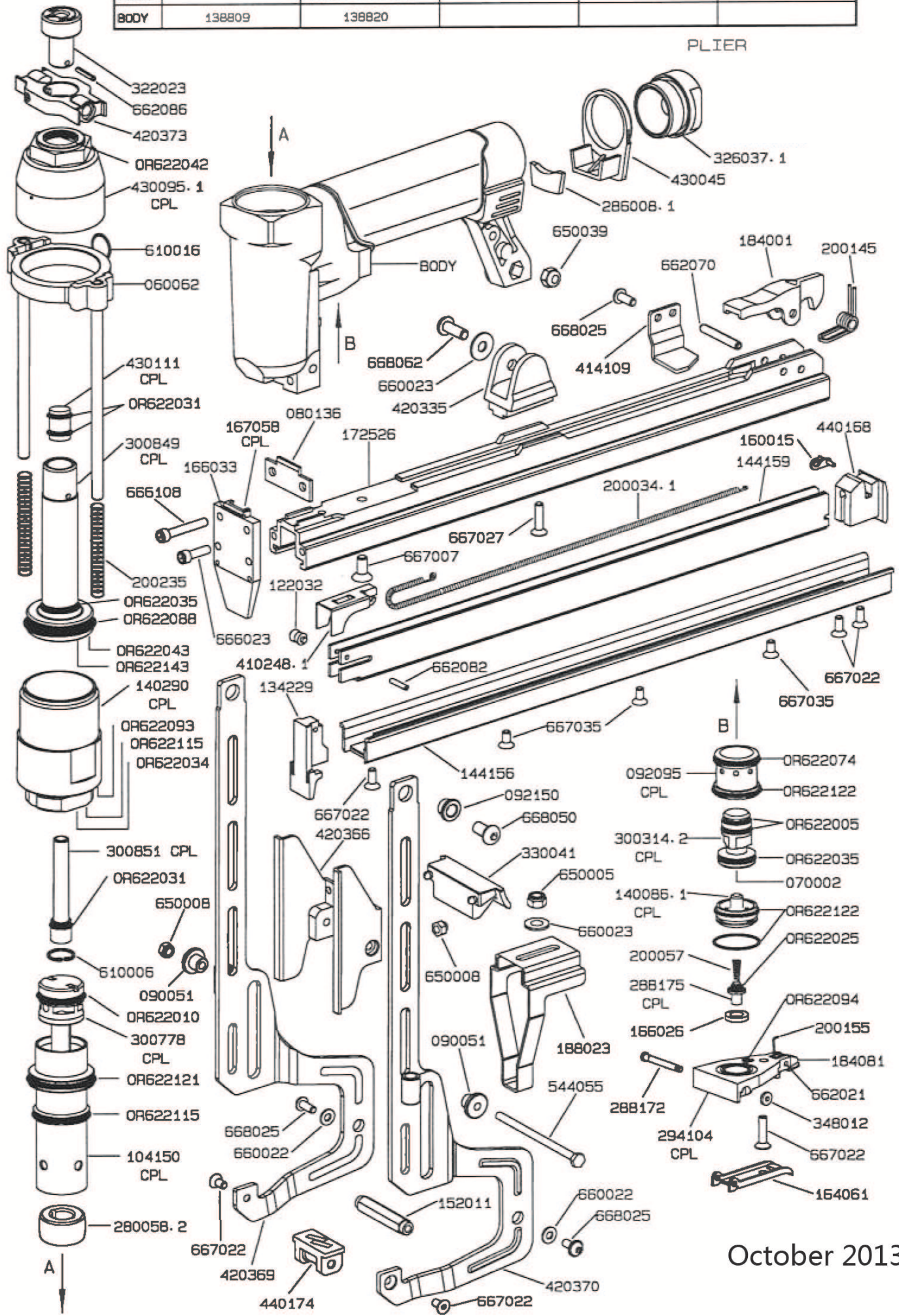
VIBRATION VALUE	UNI ISO/TS 8662-11 IS BELOW THE DECLARATION LIMIT SET BY UNI EN ISO 12100-1/2
-----------------	---

Code/Codice	RSP	Qty/Qtà	Description	Code	RSP	Qty/Qtà	Description
000060062		1	RING	000622010	R	1	O-RING
000070002	R	1	BUFFER	000622025	R	1	O-RING
000080136		1	REST	000622031	R	3	O-RING
000090051		2	BUSH	000622032	R	1	O-RING
000092095		1	BUSH	000622034	R	1	O-RING
000092150		2	BUSH	000622035	R	2	O-RING
000104150		1	CYLINDER	000622042	R	1	O-RING
000122032		1	PULLEY	000622043	R	1	O-RING
000134229		1	NOSE RAIL	000622074	R	1	O-RING
000138820		1	BODY	000622088	R	1	O-RING
000140086.1		1	TRIGGER VALVE	000622093	R	1	O-RING
000140290		1	BODY	000622094	R	1	O-RING
000144156		1	SLIDER	000622115	R	2	O-RING
000144159		1	SLIDER	000622121	R	1	O-RING
000152011		1	SPACER	000622122	R	3	O-RING
000160015		1	HOOK	000622143	R	1	O-RING
000164061		1	TRIGGER	000650005	R	1	NUT
000166026	R	1	GASKET	000650008	R	3	NUT
000166033	R	1	GASKET	000650039	R	1	NUT
000167058		1	PLATE	000660022	R	2	WASHER
000172526		1	LOADER	000660023	R	2	WASHER
000184001		1	CATCH	000662021	R	1	PIN
000184081		1	CATCH	000662070	R	2	PIN
000188023		1	INSERT	000662082	R	1	PIN
000200034.1	R	1	SPRING	000662086	R	1	PIN
000200057	R	1	SPRING	000666084	R	2	SCREW
000200145	R	1	SPRING	000666108	R	2	SCREW
000200155	R	1	SPRING	000667022	R	6	SCREW
000200235		2	SPRING	000667023	R	1	SCREW
000280058.2	R	1	BUMPER	000667027	R	1	SCREW
000286008.1		1	MUFFER	000667035	R	3	SCREW
000288172		1	PIN	000668025	R	6	SCREW
000288175		1	PIN	000668050	R	2	SCREW
000294104		1	PLATE / PIASTRA	000668062	R	1	SCREW
000300314.2		1	PISTON				
000300778	R	1	DRIVER PISTON / PISTONE LING.				
000300849	R	1	JAW PISTON / PISTONE GANASCE				
000300851		1	PISTON				
000322023		1	ADJUSTER				
000326037.1		1	ADAPTER				
000330041		1	PROTECTOR				
000338026		1	NIPPLE				
000338050		1	VALVES				
000348012		1	SPACER				
000410248.1	R	1	PUSHER				
000414109		1	SQUARE				
000420335		1	HOLDER				
000420366		1	HOLDER				
000420369		1	JAW R				
000420370		1	JAW L				
000420373		1	HOLDER				
000430045		1	COVER				
000430095.1		1	CAP				
000430111		1	COVER				
000440168		1	SLOT				
000440174		1	SLOT				
000544055	R	1	SCREW /				
000610006	R	1	STOP RING				
000610016		1	RING				
000622005	R	2	O-RING				

R=Recommended spare parts

October 2013

ESP	MACHINE CODE	MACHINE CODE	MACHINE CODE	MACHINE CODE	MACHINE CODE
2					
DESC.		R1B 88-25			
BODY	138809	138820			



October 2013